



WOODBURNING STOVES



NIBE GROUP MEMBER



**DANISH
DESIGN**





A steel, cast iron, sandstone or soapstone top for your new stove; choose which solution suits your home's decor

5 year warranty

Large combustion chamber with die-cast vermiculite

Robust construction - note the weight of the stove

Air wash and clean combustion, with up to 83.4% efficiency

Choose between several different types of cladding for your new wood-burning stove

Several handle varieties, such as cold handles and a magnetic closing mechanism

Large firewood compartment with the option of a fire compartment cover with integrated fire tools

100% cast-iron door, or steel door with interior cast-iron frame

Did you know that firewood is a CO₂-neutral, renewable energy source?

Possibility of fresh air supply

Simple operation, with an air injector that makes it easy to use your new stove

Renewable, because in our part of the world, we plant far more forests than we cut down. CO₂-neutral, because wood absorbs the same CO₂ during growth as it emits during combustion. The process is therefore climate-friendly and helps to combat climate change.

ENVIRONMENTALLY FRIENDLY WOOD BURNING STOVES... COSY HEAT AND CLEAN LINES

When the TermaTech designers begin creating a stove, the starting point is that the aesthetics, quality and efficiency must work beautifully together. Your new wood burning stove is going to be the centre piece of your home for many years to come. It must be attractive to look at, kind to the environment and cost effective.

TermaTech continue to evolve with pride and care, taking form and function to a new level. Our stoves are easy to operate and suit a variety of budgets. We also make it our responsibility to reduce carbon emissions from the very beginning of the process. Many of our popular stoves are DEFRA exempt and suitable for smokeless zones.

Reasonable prices bring these beautiful designs to any home.



CONTENT

TT80.....	4
TT60.....	8
TT30.....	12
TT22.....	16
TT21.....	22
TT20.....	28
TT10.....	34
AIR FLOW.....	38
ACHIEVE NATURAL HEAT STORAGE WITH SOAPSTONE.....	39
TECHNICAL SPECIFICATIONS.....	40
GENERAL INFORMATION ABOUT THE TT MODELS.....	51





TT80 RANGE

The TT80 range is the latest wood-burning stove collection from TermaTech. The stoves have an exquisite, but robust, design, with many incorporated functions to complete the stove and the experience. The door is made from 100% cast iron, and the same applies to the stove's top plate. As standard, the TT80 is delivered with two heat radiation systems.

Through two heat vents, the user can choose between convection heating, whereby the heat from the stove is released as quickly as possible, and heat storage, whereby as much of the heat as possible is stored in the built-in Power Stone. The 20-kg Power Stone in the top of the stove works like a heat battery, and can absorb the heat and release it over an extended period. It is possible to switch between convection heat and heat storage at any time, using two small handles at the back of the stove.

Combustion is easily controlled using the stainless steel handle just below the door, while the built-in start-up function makes it easy to use the TT80. Accessories include a beautiful, heat-retaining soapstone front to complete the stove's features and design, as well as a set of fire tools for the firewood compartment cover.

The combustion chamber has a width of 42 cm, so that even the longest pieces of firewood can be added to the fire.



New

TT80 RANGE

TT80

The steel version of the TT80 range is delivered in black and always includes heat storage built in above the combustion chamber. Choose between convection heating, heat storage, or both at the same time. As standard, the TT80 is equipped with a cold handle, log guard and firewood compartment cover.

Energy efficiency class	A*
Nominal effect in kW	5,5
Operating range in kW	3 - 7
Efficiency rate %	81
Heats sqm	30 - 120



TT80

ROOM FOR EVEN
THE LONGEST
PIECES OF
FIREWOOD, WITH
A 42-CM WIDE
COMBUSTION
CHAMBER



TT80S

TT80S

The soapstone version of the TT80 range is delivered in black or grey steel and always includes heat storage built in above the combustion chamber. Choose between convection heating, heat storage, or both at the same time.

As standard, the TT80 is equipped with a cold handle, log guard and firewood compartment cover.

Energy efficiency class	A*
Nominal effect in kW	5,5
Operating range in kW	3 - 7
Efficiency rate %	81
Heats sqm	30 - 120

ATTRACTIVE, ROBUST DESIGN,
WITH MANY INCORPORATED
FUNCTIONS





TT60S



TT60 RANGE

The TT60 range's minimalistic lines are in line with contemporary trends and are reminiscent of the design of our first stove – the TT1 – which focused on the simple essentials.

Design enthusiasts will appreciate that our design inspiration comes from Johan Otto von Spreckelsen's modern Grande Arche, while the wood-burning stoves adhere to the clean and elegant lines that Termatech has become well know for.

The receding lines in the cast-iron door lead the eye naturally towards the flames. This feature is particularly emphasised in the soapstone version, since the lines extend into the actual stone – a detail repeated in the discreet door handle's elegant wooden casing. The cast-iron door is easy to open using the handle in stainless steel and black-stained oak. The magnetic two-point closing mechanism guarantees operation without the wear caused by moving parts.

The handle is situated as standard at the base of the cast-iron door, but can be moved to the top if desired. The combustion chamber has a width of 38 cm and meets the requirements for all known European standards. With an efficiency of 83%, the TT60 matches the same high level as TermaTech's other models. As an further option, the handle in the TT60 range is offered in an exclusive oiled oak version.



TT60 RANGE

TT60

The TT60 range's entry model is characterised by simplicity and sharp lines. The cast-iron's door's raw finish, with its receding sides, naturally leads the eye to the flames playing in the combustion chamber.

The details are further underlined by the strong 5-mm steel sides and top plate. The stainless steel trim adds an extra dimension to the design, emphasising the stove's simple lines. A new interpretation of a design classic at an attractive price.

Energy efficiency class	A*
Nominal effect in kW	6
Operating range in kW	4 - 8
Efficiency rate %	83
Heats sqm	30 - 120



TT60



TT60S

TT60S

The elegant design is particularly apparent when the TT60 is clad with the beautiful, diamond-honed soapstone sides. In addition to their high end looks, they feature the heat-retaining benefits of the Brazilian soapstone.

Natural elements combined with stylish elegance.

Energy efficiency class	A*
Nominal effect in kW	6
Operating range in kW	4 - 8
Efficiency rate %	83
Heats sqm	30 - 120



Energy efficiency class	A ⁺
Nominal effect in kW	6
Operating range in kW	4 - 8
Efficiency rate %	83
Heats sqm	30 - 120

TT60W

The TT60W is a wall-mounted wood-burning stove in the TT60 range. With its clean, minimalist design, it has been created for the classic modern home, where the focus is on simplicity and function.

Mounting the stove on the wall gives it a particularly simple and stylish look, making the TT60W stove the centrepiece of the room when in use, but also unobtrusive at other times.

One interesting detail is that the TT60W is also provided with four adjustable feet. This means it can also be

mounted on a concrete slab or integrated into a concrete or brick fireplace.

With a depth of just 37 cm, the TT60W has the appearance of a small stove, but even so, it has a 38-cm wide combustion chamber, making it very versatile in use.

As standard, the TT60W is supplied with a closed top plate, but it can easily be converted for a top outlet with a different, optional top plate. Other extras include an oiled oak handle and a fresh air nozzle with outlet either at the base or the rear.



TT30S



TT30 RANGE

The TT30 is a collection for real fire connoisseurs. The door, top and combustion chamber are constructed from cast iron, which is an extremely robust material that gives the stove a solid look and feel. The stove is also slimmer than many of our other models, making it seem light, despite the solid material.

Design:

In terms of design, this is a very striking stove. Simple, but elegant. The characteristic receding lines of the door and the top put full focus on the flames, and the exquisite aluminium handle completes the stove's stylish look.

The vertical lines of the insulation material further emphasise the simplicity of the contemporary sleek Scandinavian design.

Functions:

The cast-iron door is closed by two magnets, which means that the closing mechanism does not have any movable wearing parts.

Easy operation is also a must, and the regulating handle, which controls all of the air supply, is therefore located between the door and the firewood storage compartment, so that it is easy to operate.

The glass panel is equipped with an effective "air wash" that blows the convection air down the glass. This minimises soot formation and maximises the dancing flames.

The TT30 stove is also equipped with a fresh air nozzle whereby fresh convection air from outside can be fed directly to the stove's air duct. This is often necessary in modern, newly built properties that are well insulated without any draughts.

TT30 RANGE

TT30

Elegant design, high quality and easy operation are the key characteristics of the TT30. The door, top and combustion chamber are constructed from cast iron, an extremely robust material that gives the stove a solid look and feel.

Moreover, the stove is slimmer than many of our other models, so that it appears light despite the solid material.

Energy efficiency class	A*
Nominal effect in kW	5
Operating range in kW	3 - 7
Efficiency rate %	81
Heats sqm	30 - 120



TT30



TT30S

TT30S

TT30S is characterised by its soapstone cladding. Soapstone is a natural material that stores the heat from the stove, and radiates this heat long after the fire has died down. The cast-iron front means that the clean design lines are continued.

A beautiful combination of two robust materials that compliment each other well.

Energy efficiency class	A*
Nominal effect in kW	5
Operating range in kW	3 - 7
Efficiency rate %	81
Heats sqm	30 - 120

A SLEEK AND TIMELESS LOOK IN CAST IRON

TT30G

With glass on three sides, the TT30G gives you a fantastic experience of the dancing flames. You can enjoy the fire from several different angles, as if you were sitting round an open fire.

The design is simple, yet elegant and timeless.

Energy efficiency class	A ⁺
Nominal effect in kW	5
Operating range in kW	3 - 7
Efficiency rate %	81
Heats sqm	30 - 120



TT30G



TT30GS

TT30GS

TT30GS unites uncompromising functionality and design. As a unique feature, the "side light" in the soapstone is carved and polished from one single piece of soapstone, so that the stove's slender and elegant lines are retained without unnecessary joins in the stone.

The door and combustion chamber base are made of cast iron and, as stated, the rest of the stove has soapstone cladding.

Energy efficiency class	A ⁺
Nominal effect in kW	5
Operating range in kW	3 - 7
Efficiency rate %	81
Heats sqm	30 - 120



TT22HST



TT22 RANGE

Anyone who appreciates heat will love TermaTech's TT22 range. Timeless Danish design combined with high quality and environmentally sound combustion.

Single-handle air control is easily accessible just below the door. In the TT22 range, you determine whether you prefer gradual heat at around 5 kW, or rapid, strong heat at up to 10 kW. The TT22 range includes many different versions, based on the same fantastic combustion chamber. Choose between black and grey, and soapstone cladding.

Design:

Choose between steel or soapstone cladding, with straight or rounded sides. There are tall models, short models and a unique, almost floating version on a pedestal foot. If you at any time wish to give your stove a new look, for many models the cladding can be changed from steel to soapstone, or vice versa. All of the TT22 models share in common that they can be installed and connected to the flue from above and from the rear.

Functions:

It's easy to control the combustion air using an air regulator placed discreetly under the door. You can connect fresh air/air from the outdoors directly to the TT22's combustion. This may be necessary in new or newly renovated homes.

For all models in the range, cast iron is used in the base and inside the door, to ensure its durability and stability. In some models, the stove's top panel is also made of solid cast iron, to give the stove a special rounded and exclusive look.

TT22 RANGE

TT22

The right kind of heat. There is nothing like dancing flames and the comfortable heat from a wood-burning stove.

The TT22 is easy to operate, with a large combustion chamber to ensure that you can build a strong fire, to get heat rapidly, or take it easy and enjoy a smaller fire.

Energy efficiency class	A ⁺
Nominal effect in kW	7,5
Operating range in kW	5 - 10
Efficiency rate %	82
Heats sqm	40 - 160



TT22



TT22S

TT22S

Soapstone cladding on the top and sides.

The soapstone slowly absorbs the heat, and radiates the stored heat long after the flames have died out.

Soapstone is a natural material, so its appearance varies from stove to stove.

Energy efficiency class	A ⁺
Nominal effect in kW	7,5
Operating range in kW	5 - 10
Efficiency rate %	82
Heats sqm	40 - 160

TT22R

The cast-iron top and the rounded sides of the TT22R amplify the front's soft lines – the result is a cohesive and harmonious appearance.

Below the combustion chamber there is space to store firewood, and thanks to the ventilated handle you will not burn yourself when putting firewood on the fire.

Energy efficiency class	A ⁺
Nominal effect in kW	7,5
Operating range in kW	5 - 10
Efficiency rate %	82
Heats sqm	40 - 160



TT22R



TT22RP

Energy efficiency class	A*
Nominal effect in kW	7,5
Operating range in kW	5 - 10
Efficiency rate %	82
Heats sqm	40 - 160

TT22RP

The TT22RP is part of the TT22 range, but is distinguished by its unique cast-iron pedestal. It's wide footprint ensures the stove's stability and also gives the overall design a balanced look. The stove's external sides are rounded, so the light appearance is reinforced by the curved design.

The stove almost appears to hover in the air, due to the pedestal, which also conceals the integrated fresh air inlet.

Together with the pedestal, the broad cast-iron foot helps to ensure the stove's 100% stability, but it can also be adjusted to accommodate uneven floors.

The TT22RP's unique appearance is due to the combination of a large combustion chamber, compact cast-iron design, large panoramic view and elegant lightness.



TT22RPS

TT22RPS

The TT22RP is now also offered with soapstone cladding as the TT22RPS. It is distinguished by its cast iron pedestal, which carries 282 kg of beautiful, natural soapstone. The panoramic view of the stove's flames, combined with the broad foot, ensures stability and also gives the stove a balanced appearance.

Energy efficiency class	A*
Nominal effect in kW	7,5
Operating range in kW	5 - 10
Efficiency rate %	82
Heats sqm	40 - 160



TT22H

The TT22H is built on the same combustion chamber as the range's other models, which assures you of fine and effective combustion. The TT22H and HS are equipped with a door on the firewood compartment, making the stove elegant and practical, since accessories can be hidden behind the door.

Energy efficiency class	A*
Nominal effect in kW	7,5
Operating range in kW	5 - 10
Efficiency rate %	82
Heats sqm	40 - 160



TT22H



TT22HS

TT22HS

The TT22HS offers the best from the world of wood-burning stoves. Some would call it big and heavy, others beautiful and elegant, but there is no denying that it is a fantastic heat source that will look good in any room.

Energy efficiency class	A*
Nominal effect in kW	7,5
Operating range in kW	5 - 10
Efficiency rate %	82
Heats sqm	40 - 160

TT22HST

HST stands for Heat Storage and means that these wood-burning stoves store their heat.

Beneath the top stone there are four large soapstone blocks, which together with the cladding store the heat from the stove. The design is rounded off with soapstone in the firewood compartment.

(Read explanation on page 33 and 39)

Energy efficiency class	A*
Nominal effect in kW	7,5
Operating range in kW	5 - 10
Efficiency rate %	82
Heats sqm	40 - 160



TT22HST

SHAPED
GLASS
HEARTH



TT22HST



TT21R



TT21 RANGE

The TT21 range is a stove collection that satisfies all of the modern consumer's needs and requirements. Easy operation and smart cast-iron details, all packaged in a timeless and stylish Scandinavian design – and available at a very reasonable price.

Design:

As a general rule, it is possible to choose between three different versions – steel sides with cast-iron top, with heat-storing soapstone, or with heat-storing sandstone. The TT21 range is available in three different heights and, in addition, details can be added, such as extra heat storage, die-cut glass floor panel or firewood compartment cover with the option of integrated fire tools.

The elegant door handle underlines the clean design. Combined with the unique closing mechanism on the cast-iron door, operated by means of heat-resistant magnets, this guarantees optimum ease of use and a long service life. As an additional option, the handle of the TT21 series is also available in a black coated stainless steel version.

Functions:

The fire is easily controlled using the discreet adjustment handle located under the cast-iron door. The large ash tray with attached lid makes it easy and clean to carry out the ash, when it (rarely) needs to be emptied.


The depth of the combustion chamber provides good, effective firing, while allowing for a large ember layer and preventing ash from blowing out. The stove's top plate, door and combustion chamber base are all made from cast iron, thereby extending the stove's lifespan and enhancing stability.

In newly-built homes without draughts it may be necessary to connect a supply of fresh air from outside to the stove. This is because the air volume that your stove needs for actual combustion may not be provided sufficiently if the only source is the actual room in which the stove is located. This is an option for all of TermaTech's models.

TT21 RANGE

TT21RL

Small details make a big difference. And that is also true of the TT21RL. The stove is just 8 cm lower in height than its big sister, the TT21R. This makes the stove more compact, which may be required where ceilings are low. The firewood compartment is screened by a concealing cover, giving the stove an elegant look. It's so easy to operate the stove that anyone will soon get used to it, which makes it particularly suitable for rental holiday homes.

Energy efficiency class	A+ 
Nominal effect in kW	5
Operating range in kW	3 - 7
Efficiency rate %	83,4
Heats sqm	30 - 120



TT21RL




TT21R

TT21R


The TT21R's elliptical "core" is based on the well-known, tried and tested TT20 range's DNA, but in this version it has been updated with a stylish cast-iron top with associated convection grille, also in cast iron.

The minimalist design is reflected in the elegant cast-iron door, which closes with the aid of two heat-resistant magnets. This avoids moving parts in the door structure, guaranteeing a long lifetime and maintenance-free service. This is a unique solution that TermaTech has used for several years, and is now seen on many wood-burning stoves.

Energy efficiency class	A+ 
Nominal effect in kW	5
Operating range in kW	3 - 7
Efficiency rate %	83,4
Heats sqm	30 - 120

TT21RH

Slim and elegant are the key characteristics of the TT21RH. The essence of the TT21RH is that it is developed to meet the increased demand for a fireplace in a higher position, so that it is easier to watch the flames dancing. The slightly higher version offers a lighter design, and a set of fire tools can be mounted on the inside of the practical firewood compartment cover.

Energy efficiency class	A+ 
Nominal effect in kW	5
Operating range in kW	3 - 7
Efficiency rate %	83,4
Heats sqm	30 - 120



TT21RH

TIMELESS ELEGANCE.
HIGHEST QUALITY AT AN ATTRACTIVE PRICE!



TT21RLS

Compact, rustic and timeless – three words which characterise the TT21RLS. The soapstone cladding is not only striking and impressive, but also has a unique ability to absorb the heat from the fire and radiate it long after the fire has died down. As with the other TT21 models, the door is made from 100% cast iron, which not only gives a rustic look, but also perfectly matches the rough stone. The TT21RLS has a wood compartment cover, giving the stove an elegant look.

Energy efficiency class	A*
Nominal effect in kW	5
Operating range in kW	3 - 7
Efficiency rate %	83,4
Heats sqm	30 - 120



TT21RLS



TT21RHS with soapstone for wood compartment

TT21RHS

The TT21RHS is the top model in the TT21 range. The pictures speak for themselves, but the many highlights of this particular stove include the generous amount of soapstone used, and the clean and timeless design. In principle, TT21RHS is delivered with a practical steel firewood compartment cover, but if your preference is for diamond-polished Brazilian soapstone, the stove is also available with plinth stones in the firewood compartment.

The rough, cast-iron surface, combined with the smooth surface of the stone, reminds us of the earth elements, here beautifully united.

Energy efficiency class	A*
Nominal effect in kW	5
Operating range in kW	3 - 7
Efficiency rate %	83,4
Heats sqm	30 - 120



TT21RHS



TT21RS Black

Energy efficiency class	A*
Nominal effect in kW	5
Operating range in kW	3 - 7
Efficiency rate %	83,4
Heats sqm	30 - 120

TT21RS

TT21RS

The TT21RS wood-burning stove completes your experience of the elements. The crackling flames from the fire combine beautifully with the raw, rustic exterior of the soapstone, as a reminder of the primeval forces of nature. The unique, heat-retaining properties of the soapstone are combined with the design of the elegant, timeless cast-iron door, which closes with the aid of two heat-resistant magnets. This avoids moving parts in the door structure, guaranteeing a long lifetime and maintenance-free function. The handle "cools down" with the aid of convection, so it can always be operated without needing a glove.

TT21RS BLACK

If you prefer the design of a black stove, but still desire the excellent heat-retention qualities of the soapstone, as a completely unique feature we have combined the two stoves by painting the soapstone black.



TT21SA

Would you like a wood-burning stove with a warm look? The TT21SA may be the stove you're looking for. The stove has beautiful sandstone cladding, with the heat-storage properties we are familiar with from soapstone.

TT21SA is delivered in a black stove colour, black handle, with sandstone cladding.

Energy efficiency class	A*
Nominal effect in kW	5
Operating range in kW	3 - 7
Efficiency rate %	83,4
Heats sqm	30 - 120

TT21SA



TT20



TT20 RANGE

TermaTech TT20 is a range of stoves that combines the best operating comfort with the highest product quality, and stylish Scandinavian design.

In terms of price, we've designed the TT20 to be a really popular stove that is among the market's best at the price. The TT20 range naturally fulfils the latest – and toughest – European approval requirements: with the energy efficiency above 83%.

Seven different versions – all designed with care and produced in exquisite quality. Whichever TT20 you choose, you are assured of a sound structure and well-considered design.

Design:

Choose between straight or rounded steel sides, soapstone cladding with straight or round sides, or beautiful sandstone. All TT20 models can be connected to the flue at the rear or above.

Functions:

Cool touch handle. This means that the handle is ventilated, and thanks to its location it never gets hot, so you won't burn your fingers.

The ash tray is extra large and easy to access when it (rarely) needs emptying. There is also a lid, so you can carry out the ash without it being blown away.

The base of the stove and the door's inside frame are made from cast iron, to increase the durability and stability of the door's structure.

The deep combustion chamber provides the advantage that ash and sparks cannot fall out, and this also means that the stove does not need to have the tray emptied often, and that a good layer of embers can ensure a prolonged afterglow.


It is so easy to operate the TT20 range that anyone will soon get used to it. Combustion can easily be adjusted using a simple lever, and this has an immediate effect on the flames.

TT20 RANGE

TT20

The TT20 is the ranges' slim entry model. The stove has straight steel sides painted black or grey.

It's so easy to operate the stove that anyone will soon get used to it. You only need to adjust the air at one place and can immediately see the effect in the flames.

Energy efficiency class	A* 
Nominal effect in kW	5
Operating range in kW	3 - 7
Efficiency rate %	83,4
Heats sqm	30 - 120



TT20




TT20R

TT20R

The round steel sides create a calm and harmonious look, suitable for placement against a straight wall or in a corner, in many different homes.

With its timeless elliptical design, the combination of fantastic quality, easy operation and a really good price make this stove a bestseller.

Energy efficiency class	A* 
Nominal effect in kW	5
Operating range in kW	3 - 7
Efficiency rate %	83,4
Heats sqm	30 - 120

TT20 RANGE – THE CENTRE OF THE HOME...
FOR COMFORTABLE LIVING

TT20BAZIC

You can get all of the benefits of the TT20 range, at a competitive price. The TT20Bazic has a modern, but also classical, design, which with the two free-standing convection legs is reminiscent of older cast-iron stoves. The latest technology combined with classical design.

Energy efficiency class	A*
Nominal effect in kW	5
Operating range in kW	3 - 7
Efficiency rate %	83,4
Heats sqm	30 - 120



TT20BAZIC



TT20



TT20BAZIC R

TT20BAZIC R


The TT20Bazic R, with its rounded sides, is the latest addition to our tried and tested, and best selling wood-burning stove range. Here, you get a combustion chamber that fulfils all of the tough European requirements, and a stove that is incredibly easy to operate and control. The low position of the handle, with convection cooling, ensures that you can always operate the stove without using gloves. In price terms, TT20Bazic R is in a class of its own. Considering the price, quality and equipment, there is hardly a better alternative in the market. The stove's size and output are perfect for small rooms or summer cottages. Many buyers like the option of storing firewood in the compartment under the door, but if you prefer a more elegant and closed design, a concealing cover can be purchased and mounted in the firewood compartment.

Energy efficiency class	A*
Nominal effect in kW	5
Operating range in kW	3 - 7
Efficiency rate %	83,4
Heats sqm	30 - 120

TT20S

Equipped with straight soapstone sides and top panel.

The soapstone slowly absorbs the heat, and radiates the stored heat long after the flames have died out. Soapstone is a natural product, of which the appearance varies from stove to stove.

Energy efficiency class	A+ 
Nominal effect in kW	5
Operating range in kW	3 - 7
Efficiency rate %	83,4
Heats sqm	30 - 120



TT20S




TT20SA

TT20SA

If you like the benefits and properties of soapstone, but prefer a warmer look, you should consider a wood-burning stove clad with beautiful sandstone. Sandstone has the same heat-storage properties, but with a very different appearance.


TT20SA is available in black with sandstone.

Energy efficiency class	A+ 
Nominal effect in kW	5
Operating range in kW	3 - 7
Efficiency rate %	83,4
Heats sqm	30 - 120

TT20RS

The 80 kg of soapstone is not just a beautiful cladding, but is also where the stove stores heat, retaining the heat and then slowly releasing it to the room, long after the flames have died out. The heat is experienced as softer and more steady than from ordinary convection stoves.

In addition, the proportion of soapstone is significantly higher than for many other, smaller soapstone stoves.

Energy efficiency class	A+ 
Nominal effect in kW	5
Operating range in kW	3 - 7
Efficiency rate %	83,4
Heats sqm	30 - 120



TT20RS

TT20RS/TT21RS/TT21RLS/TT21RHS

WITH HEAT STORAGE MODULE AND FOOTING STONE

For TT20RS/21RS/21RLS/21RHS, we have developed a heat storage module in beautiful soapstone.*

The unique ability of the soapstone allows the heat to be stored for up to 13 hours after the last stoking.**

- Soapstone has the ability to collect the heat energy and release it slowly.
- The module consists of a platform and six soapstone parts that can be easily fitted onto your new TT20RS/21RS/21RLS/21RHS.
- If you are already the happy owner of a TT20RS/21RS/21RLS/21RHS, your dealer can retrofit the heat storage module onto your stove.
- In total the stones weigh almost 100kg. The TT20RS/21RS/21RLS/21RHS currently has about 80kg of soapstone, with the heat storage module added, you get almost 180kg of pure heat storage.

- On page 39, you can see the heat storage difference on a regular steel stove and an TT20RS/21RS/21RLS/21RHS with heat storage.
- The steel stove heats up quickly, releases plenty of heat, but gets cold shortly after the flame has gone out.
- The soapstone absorbs plenty of heat energy and continues to gradually release it even after the fire has gone out.
- The footing stone, which completes the overall look, can be retro-fitted onto both the TT20S, TT20RS, TT21RS and the TT21RHS.
- The footing stone does not become warm because of its position, but it gives the stove a beautiful appearance.

* Please be aware that soapstone is a 100 % natural material and every single stone is unique. therefore, there will be differences in the structure and shade of the stones.

** The measurement results are based on tests conducted in a 70sqm room with a standard ceiling height and insulation.

HEAT STORAGE MODULE

TT20RS/21RS/21RLS/21RHS

FOOTING STONE







TT10 RANGE

TermaTech TT10 is a range of stoves that combines the best operating comfort and the highest product quality with Scandinavian TermaTech design.

The range was developed back in 2007, when wood-burning stoves were subject to less strict requirements than they are today. Nonetheless, we still developed a stove with high energy efficiency (82%) and low emissions. For this reason, the TT10 range is one of the few classic ranges of wood-burning stoves that can still be sold. This is because we have never compromised on its quality, which is at the same high level as the rest of TermaTech's range.

There are three different versions in the TT10 family, which all stand out with their quality and classical design.

Design:

Choose between rounded steel sides, rounded steel sides with side glass, or soapstone cladding with round sides. The TT10 models can be connected to the flue from the top or from the rear.

Functions:

The ash tray is large and easy to access when it (rarely) needs emptying.

The base of the combustion chamber and the door's inside framework are made from cast iron, to ensure the durability and stability of the door's structure.

The very deep combustion chamber has several advantages: ash and embers do not fall out, and there is plenty of space to build up a good layer of embers. This ensures good combustion and longer radiated heat when the flames have died down.

The TT10 range is easy and simple to operate. The user will soon get to know the stove and any adjustment of the air control handle, just below the door, will immediately be seen in the fire.

PANORAMIC
VIEW WITH
CHARACTER

TT10 RANGE



TT10

TT10

The TT10 is a sound, tried and tested stove that is designed to last for many years. It's simple to operate, burns effectively, and meets contemporary requirements, despite its classical status.

The rounded sides mean that the stove will look good against a straight wall, or in a corner.

Energy efficiency class	A*
Nominal effect in kW	6
Operating range in kW	3 - 8
Efficiency rate %	82
Heats sqm	30 - 140

TT10S

The TT10S is equipped with around 70 kg of soapstone, to ensure longer heat radiation. The 70 kg of soapstone is not only beautiful, but also has a unique heat storage function. The stone absorbs heat when the stove is in use, and slowly releases it to the room long after the flames have died down. In this way, the heat radiation seems softer and smoother. The amount of heat from the stove is the same; it is just spread over a longer period of time.

Energy efficiency class	A*
Nominal effect in kW	6
Operating range in kW	3 - 8
Efficiency rate %	82
Heats sqm	30 - 140



TT10S



TT10G

TT10G

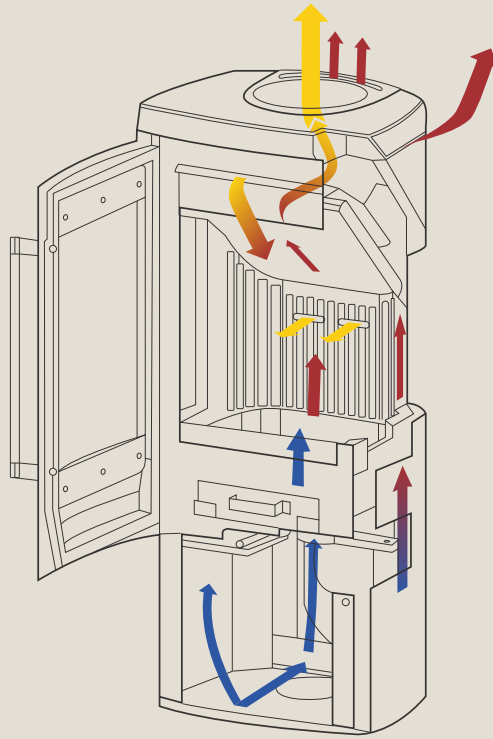
If you are addicted to the warm glow of the fire and its dancing flames, the TT10G is the perfect match for you. You can enjoy the fire from different angles, as if you were sitting round an open fire.

The stove is easy and very simple to operate with a single air control handle located just below the door.

Energy efficiency class	A*
Nominal effect in kW	6
Operating range in kW	3 - 8
Efficiency rate %	82
Heats sqm	30 - 140



TT10S



AIR FLOW

Most of TermaTech's wood-burning stoves are convection stoves.

This means that there is an inner shell and an outer shell. The air between the two shells quickly becomes heated, rises upward and is distributed faster throughout the entire room. The stove takes in cool air from the bottom, heats it up and then the air is distributed at the top of the stove.

The difference between a well-functioning convection stove and a radiant heater is that with a convection stove you achieve a better and more uniform heat distribution in the room.

The convection stove is also cooler on the outer surfaces.



ACHIEVE NATURAL HEAT STORAGE WITH SOAPSTONE

About 2.7 billion years ago soapstone, which is a mineral type of rock consisting primarily of talc, was created in the subsurface. Talc absorbs and conducts heat in an exceptional way, which makes soapstone an ideal choice for wood-burning stoves.

Soapstone absorbs the heat from the wood-burning stove so that the heat is stored and released long after the flame has gone out. This means the heat from the wood-burning stove lasts much longer, is more evenly distributed and feels more comfortable in comparison to a standard convection or radiation stove.

The amount of soapstone is the deciding factor as to how much heat can be accumulated. The more soapstone a wood-burning stove is clad with, the more heat that is stored and released.

From subsurface to cladding

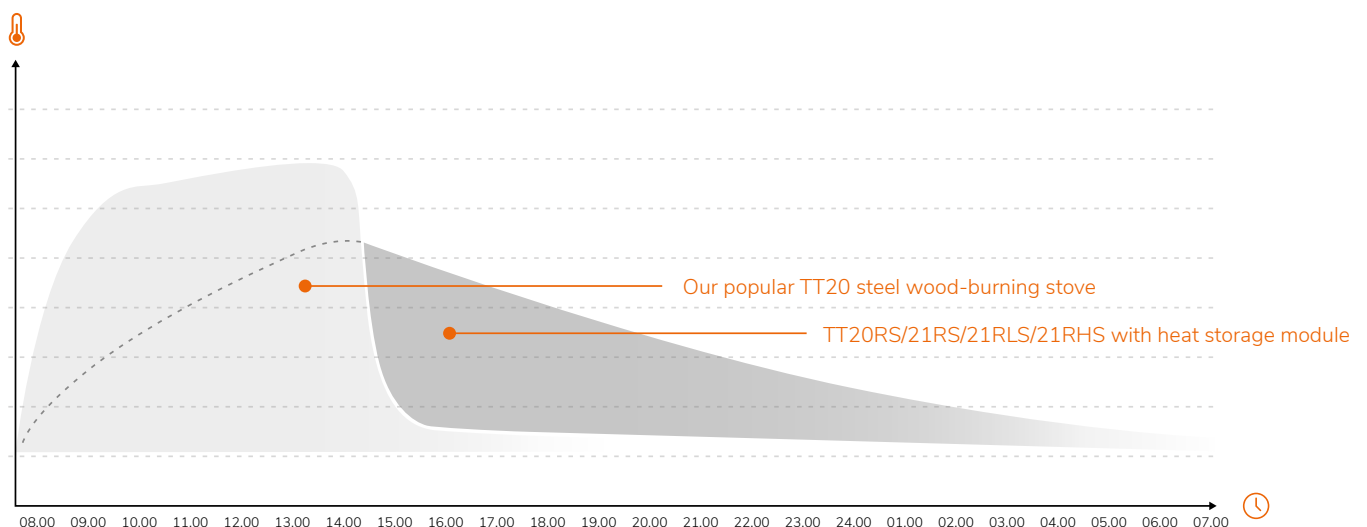
The soapstone is quarried in "Rio das Velhas" in Brazil, where the stone is cut out in large blocks and brought

up from the subsurface. When the stone has been processed, it is given a water/diamond polish, which makes the soapstone used by TermaTech unique.

The polishing accentuates the stones colours, lines and veins and makes the surface silky-smooth, which improves the stone's resistance to dirt.

Contrary to other types of stone, soapstone has a soft and variegated surface, which makes it an easy-maintenance material if scratches should appear. At termatech.com you will find instructions on how easy it is to maintain and repair soapstone allowing its unique appearance to be preserved.

Since soapstone is a natural material, there is a natural variation in the structure and surface of the stone, which makes each stone and wood-burning stove unique.

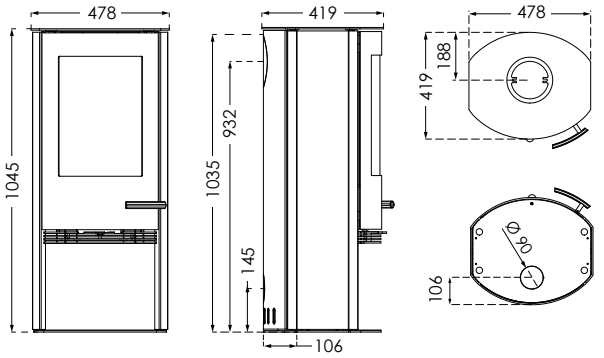


TT20 / TT21 RANGE TECHNICAL SPECIFICATIONS

TT20

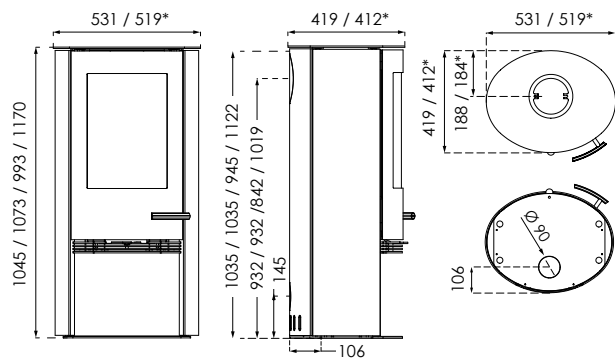
TT20R / TT21R / TT21RL / TT21RH

*Applies to models: TT21R / TT21RL / TT21RH



Combustion chamber W / D: 340 / 271

Weight in kg: 116

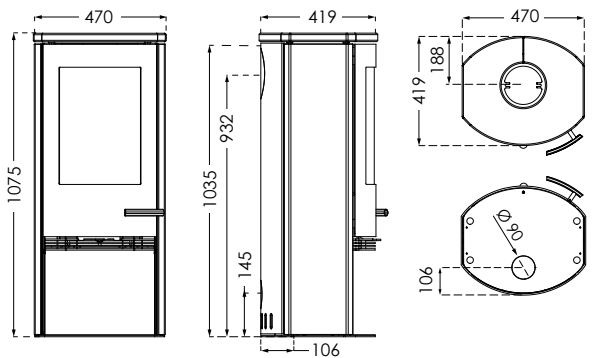


Combustion chamber W / D: 340 / 271

Weight in kg: 118 / 120 / 119 / 129

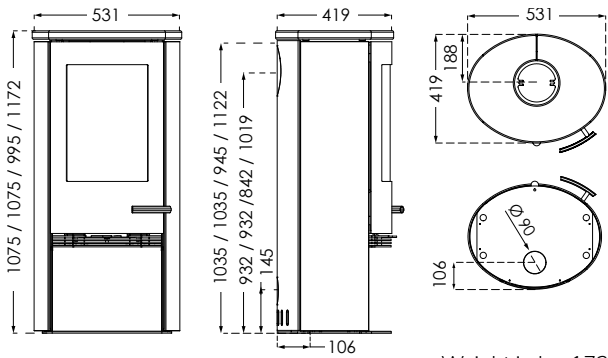
TT20S

TT20RS / TT21RS / TT21RLS / TT21RHS



Combustion chamber W / D: 340 / 271

Weight in kg: 154

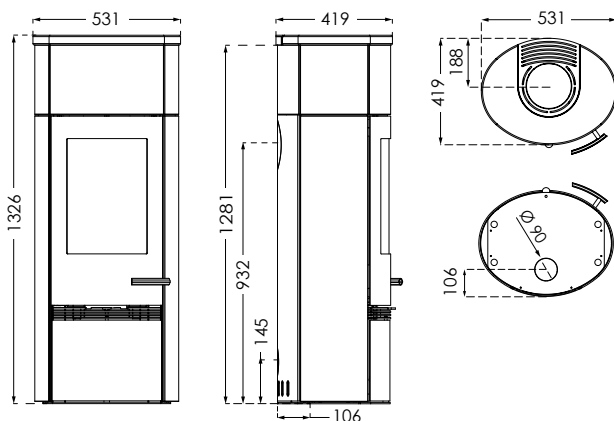


Combustion chamber W / D: 340 / 271

Weight in kg: 173 / 176 / 170 / 185
Footing stone: +30 kg

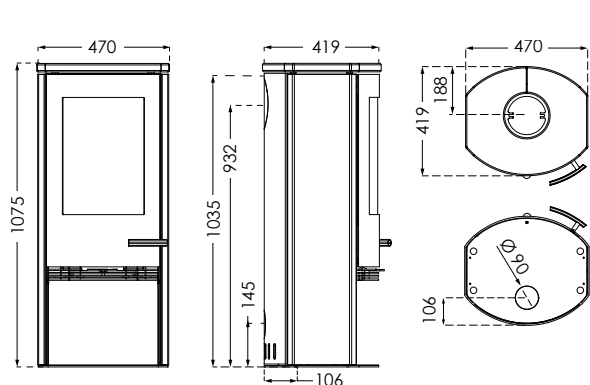
TT20RS / TT21RS + Heat storage module + Footing Stone

TT20SA / TT21SA



Combustion chamber W / D: 340 / 271

Weight in kg: 302 / 305

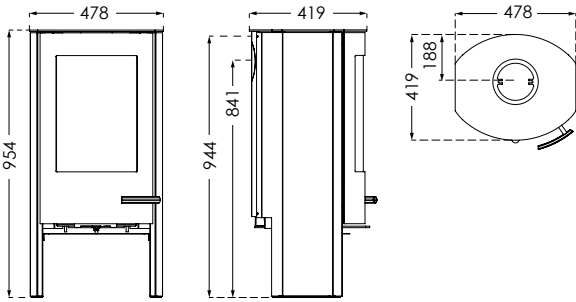


Combustion chamber W / D: 340 / 271

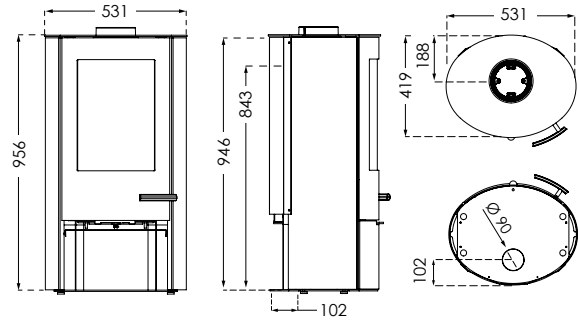
Weight in kg: 139 / 141

TT20BAZIC

TT20BAZIC R



Combustion chamber W / D: 340 / 271 Weight in kg: 102



Combustion chamber W / D: 340 / 271 Weight in kg: 110

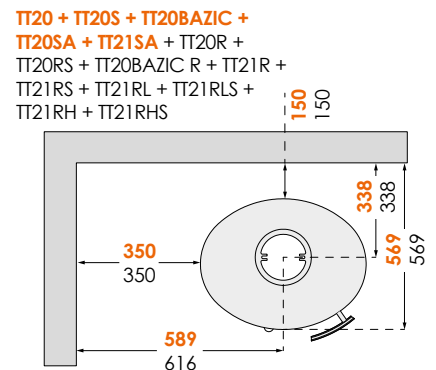
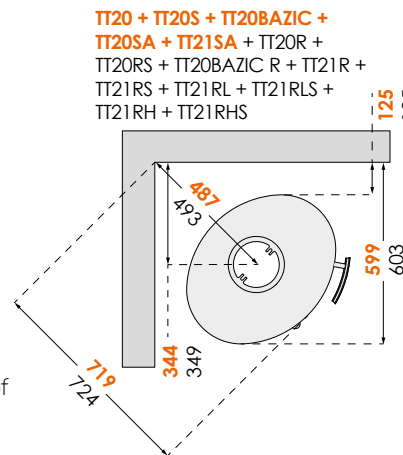
DISTANCE TO FLAMMABLE MATERIALS

TT20 / TT21 RANGE

Energy efficiency class	A*
Nominal effect in kW	5
Operating range in kW	3 - 7
Efficiency rate %	83,4
Heats sqm	30 - 120

In order to avoid discolouration of painted and treated surfaces, TermaTech recommends the same distance from flammable materials as for non-flammable materials. This distance increases the convection itself around the stove and also eases cleaning.

All distances relate solely to the distance of the stove from flammable materials. No account has been taken of national requirements for the use of stove flues or their distance from flammable materials.



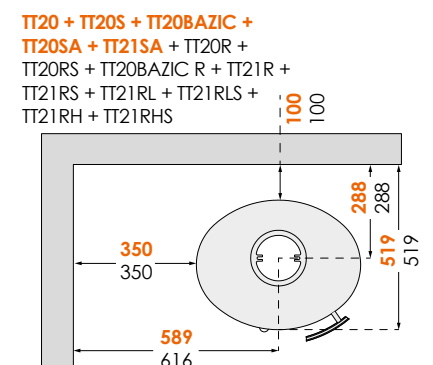
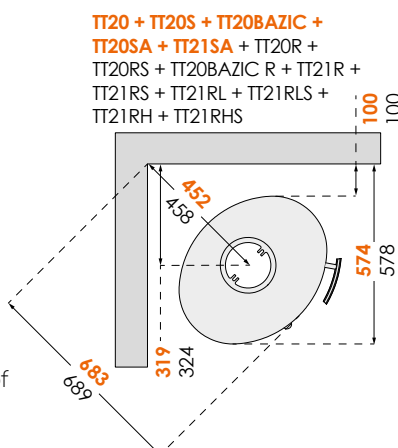
DISTANCE TO NON FLAMMABLE MATERIALS

TT20 / TT21 RANGE

Energy efficiency class	A*
Nominal effect in kW	5
Operating range in kW	3 - 7
Efficiency rate %	83,4
Heats sqm	30 - 120

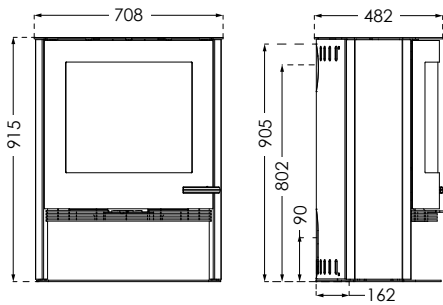
In order to avoid discolouration of painted and treated surfaces, TermaTech recommends the same distance from flammable materials as for non-flammable materials. This distance increases the convection itself around the stove and also eases cleaning.

All distances relate solely to the distance of the stove from flammable materials. No account has been taken of national requirements for the use of stove flues or their distance from flammable materials.



TT22 RANGE TECHNICAL SPECIFICATIONS

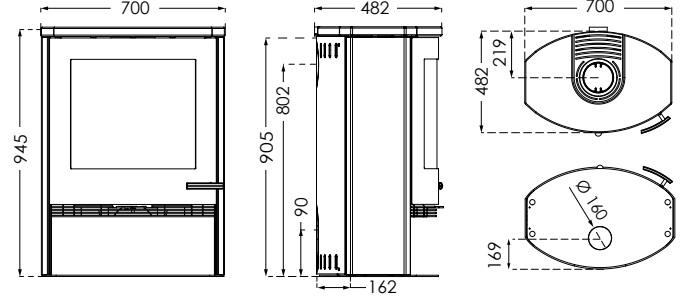
TT22



Combustion chamber W / D: 570 / 300

Weight in kg: 168

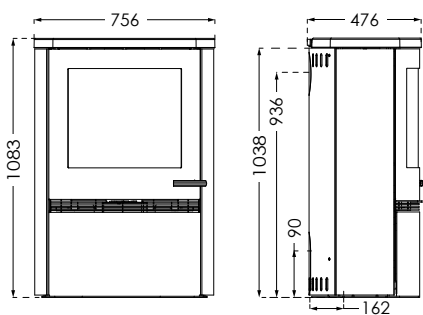
TT22S



Combustion chamber W / D: 570 / 300

Weight in kg: 202

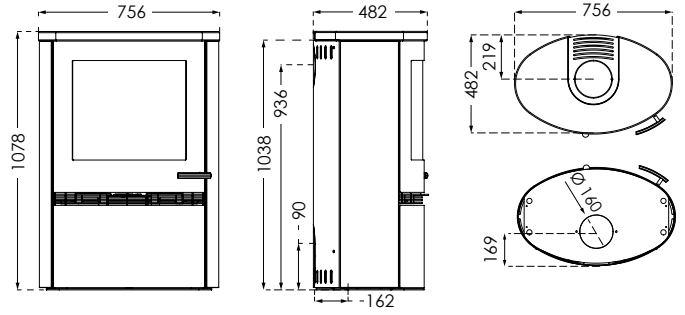
TT22H



Combustion chamber W / D: 570 / 300

Weight in kg: 194

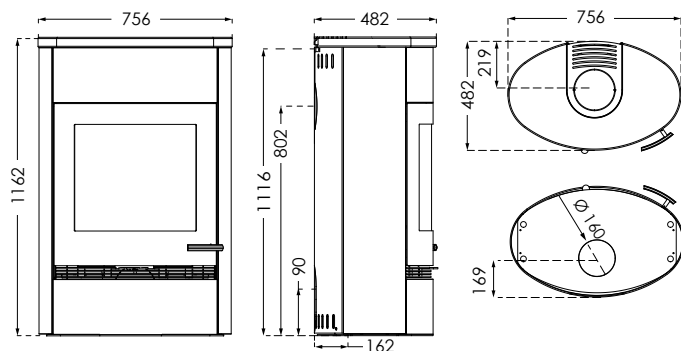
TT22HS



Combustion chamber W / D: 570 / 300

Weight in kg: 251

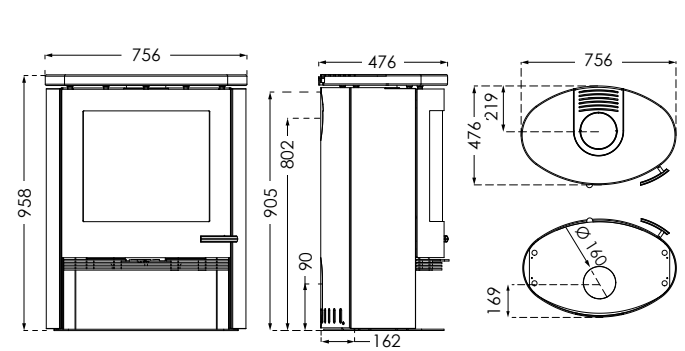
TT22HST



Combustion chamber W / D: 570 / 300

Weight in kg: 322

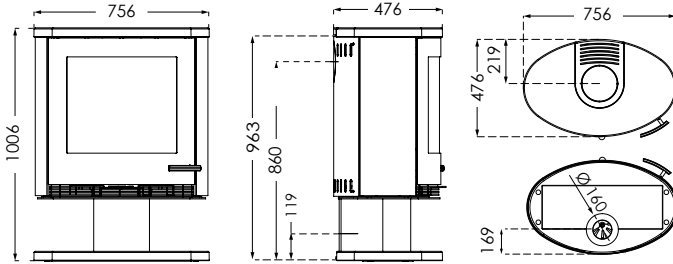
TT22R



Combustion chamber W / D: 570 / 300

Weight in kg: 168

TT22RP/TT22RPS



Combustion chamber W / D: 570 / 300

Weight in kg: 205/282

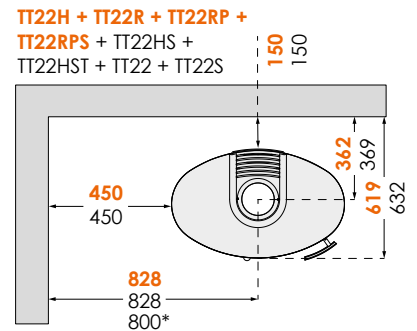
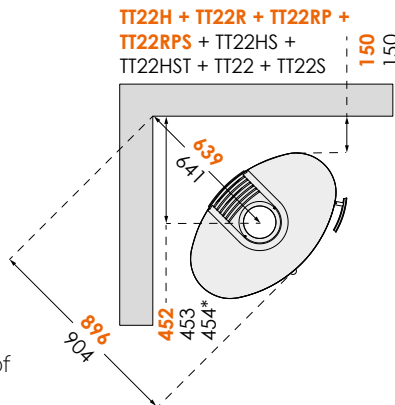
DISTANCE TO FLAMMABLE MATERIALS

TT22 RANGE

Energy efficiency class	A*
Nominal effect in kW	7,5
Operating range in kW	5 - 10
Efficiency rate %	82
Heats sqm	40 - 160

In order to avoid discolouration of painted and treated surfaces, TermaTech recommends the same distance from flammable materials as for non-flammable materials. This distance increases the convection itself around the stove and also eases cleaning.

All distances relate solely to the distance of the stove from flammable materials. No account has been taken of national requirements for the use of stove flues or their distance from flammable materials.



*Applies to models: TT22 + TT22S

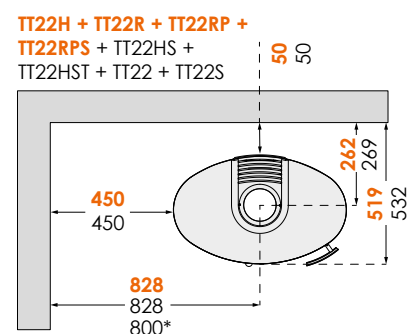
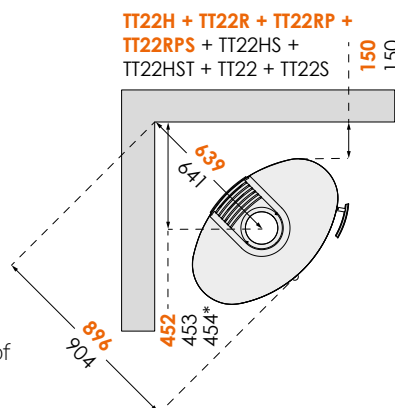
DISTANCE TO NON FLAMMABLE MATERIALS

TT22 RANGE

Energy efficiency class	A*
Nominal effect in kW	7,5
Operating range in kW	5 - 10
Efficiency rate %	82
Heats sqm	40 - 160

In order to avoid discolouration of painted and treated surfaces, TermaTech recommends the same distance from flammable materials as for non-flammable materials. This distance increases the convection itself around the stove and also eases cleaning.

All distances relate solely to the distance of the stove from flammable materials. No account has been taken of national requirements for the use of stove flues or their distance from flammable materials.



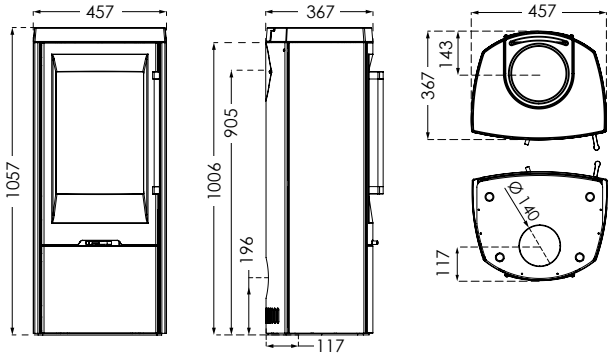
*Applies to models: TT22 + TT22S

NB! All height dimensions are without adjusting feet. Measurements are in mm.

TT30 RANGE TECHNICAL SPECIFICATIONS

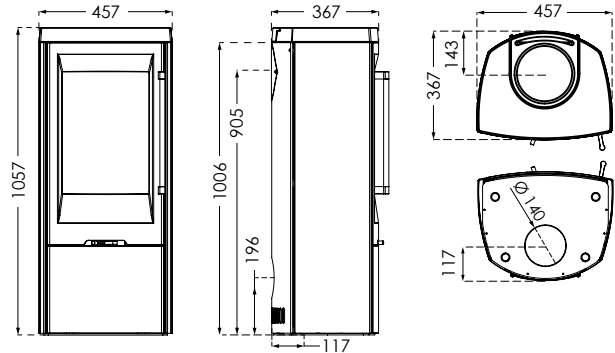
TT30

TT30S



Combustion chamber W / D: 320 / 236

Weight in kg: 128



Combustion chamber W / D: 320 / 236

Weight in kg: 155

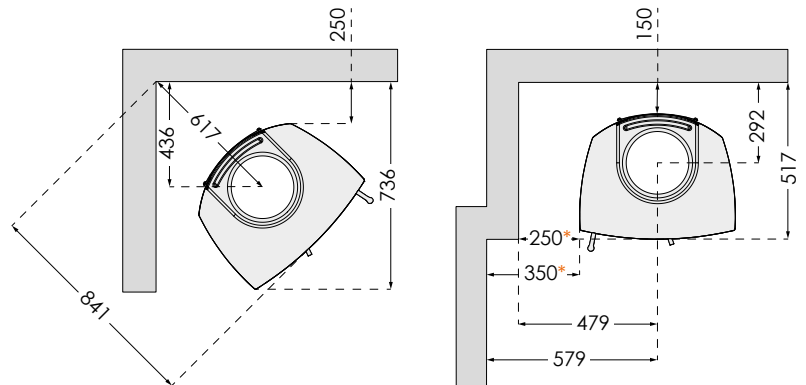
DISTANCE TO FLAMMABLE MATERIALS

TT30 / TT30S

Energy efficiency class	A*
Nominal effect in kW	5
Operating range in kW	3 - 7
Efficiency rate %	81
Heats sqm	30 - 120

In order to avoid discolouration of painted and treated surfaces, TermaTech recommends the same distance from flammable materials as for non-flammable materials. This distance increases the convection itself around the stove and also eases cleaning.

All distances relate solely to the distance of the stove from flammable materials. No account has been taken of national requirements for the use of stove flues or their distance from flammable materials.



* Distance to side wall min. 250mm up to the front of the stove, subsequently min. 350mm.

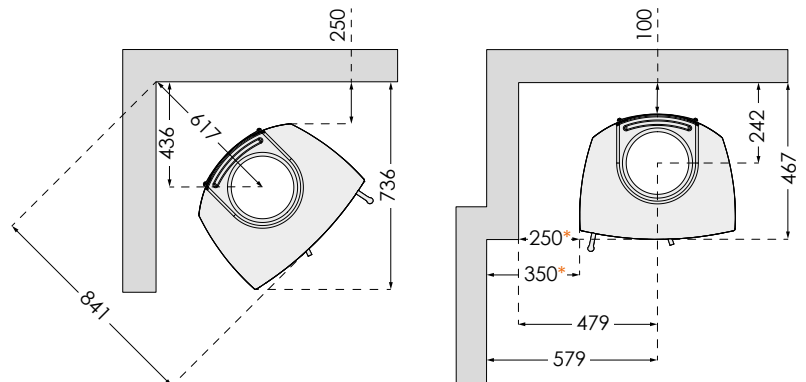
DISTANCE TO NON FLAMMABLE MATERIALS

TT30 / TT30S

Energy efficiency class	A*
Nominal effect in kW	5
Operating range in kW	3 - 7
Efficiency rate %	81
Heats sqm	30 - 120

In order to avoid discolouration of painted and treated surfaces, TermaTech recommends the same distance from flammable materials as for non-flammable materials. This distance increases the convection itself around the stove and also eases cleaning.

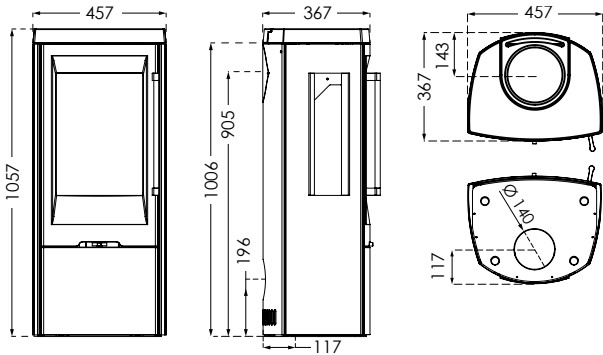
All distances relate solely to the distance of the stove from flammable materials. No account has been taken of national requirements for the use of stove flues or their distance from flammable materials.



* Distance to side wall min. 250mm up to the front of the stove, subsequently min. 350mm.

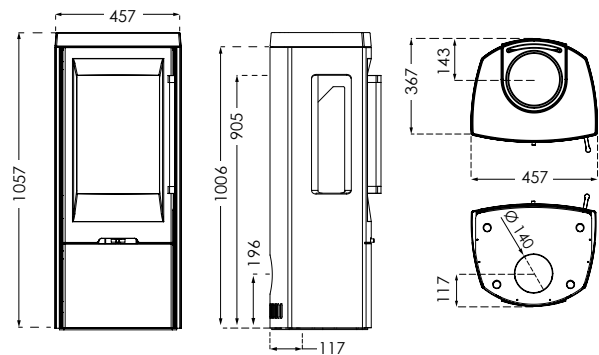
TT30G

TT30GS



Combustion chamber W / D: 320 / 236

Weight in kg: 126



Combustion chamber W / D: 320 / 236

Weight in kg: 153

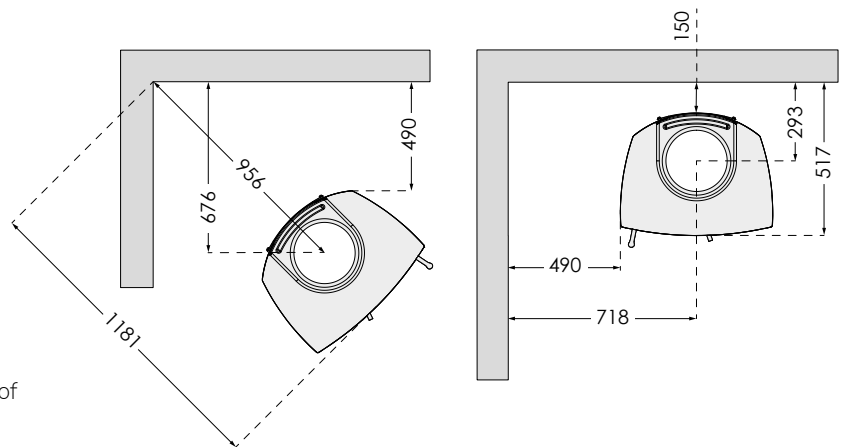
DISTANCE TO FLAMMABLE MATERIALS

TT30G / TT30GS

Energy efficiency class	A⁺
Nominal effect in kW	5
Operating range in kW	3 - 7
Efficiency rate %	81
Heats sqm	30 - 120

In order to avoid discolouration of painted and treated surfaces, TermaTech recommends the same distance from flammable materials as for non-flammable materials. This distance increases the convection itself around the stove and also eases cleaning.

All distances relate solely to the distance of the stove from flammable materials. No account has been taken of national requirements for the use of stove flues or their distance from flammable materials.



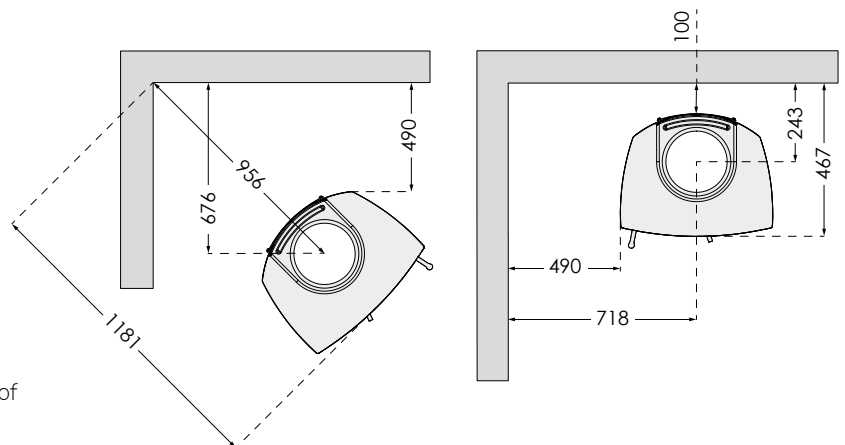
DISTANCE TO NON FLAMMABLE MATERIALS

TT30G / TT30GS

Energy efficiency class	A⁺
Nominal effect in kW	5
Operating range in kW	3 - 7
Efficiency rate %	81
Heats sqm	30 - 120

In order to avoid discolouration of painted and treated surfaces, TermaTech recommends the same distance from flammable materials as for non-flammable materials. This distance increases the convection itself around the stove and also eases cleaning.

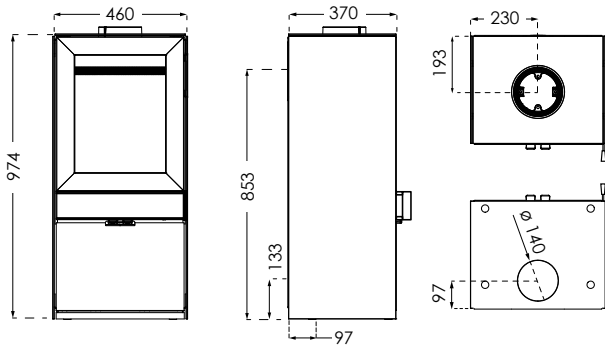
All distances relate solely to the distance of the stove from flammable materials. No account has been taken of national requirements for the use of stove flues or their distance from flammable materials.



TT60 RANGE TECHNICAL SPECIFICATIONS

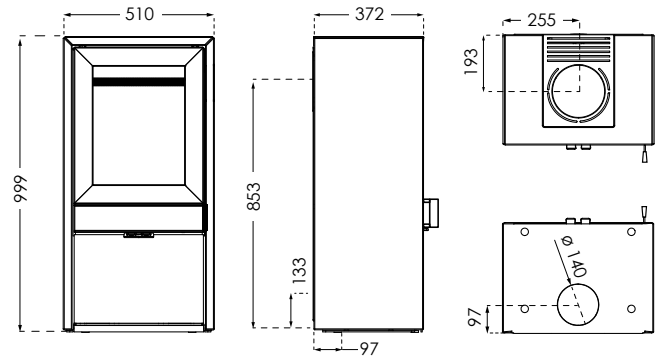
TT60

TT60S



Combustion chamber W / D: 380 / 260

Weight in kg: 143



Combustion chamber W / D: 380 / 260

Weight in kg: 178

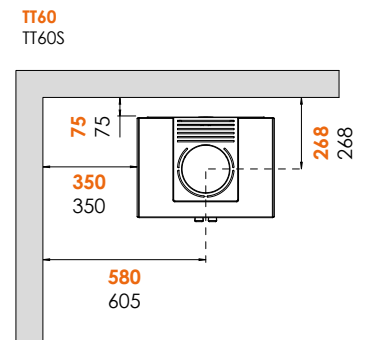
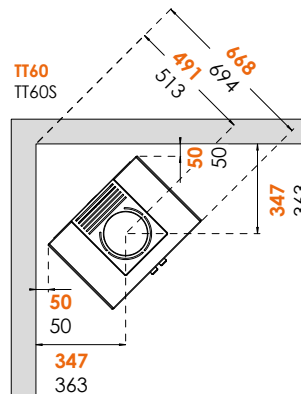
DISTANCE TO FLAMMABLE MATERIALS

TT60 / TT60S / TT60W

Energy efficiency class	A*
Nominal effect in kW	6
Operating range in kW	4 - 8
Efficiency rate %	83
Heats sqm	30 - 120

In order to avoid discolouration of painted and treated surfaces, TermaTech recommends the same distance from flammable materials as for non-flammable materials. This distance increases the convection itself around the stove and also eases cleaning.

All distances relate solely to the distance of the stove from flammable materials. No account has been taken of national requirements for the use of stove flues or their distance from flammable materials.



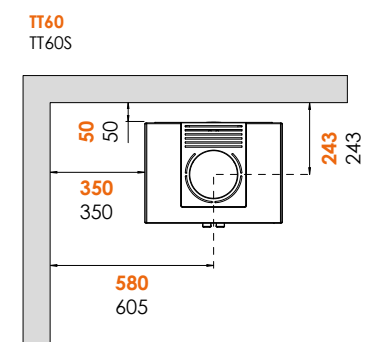
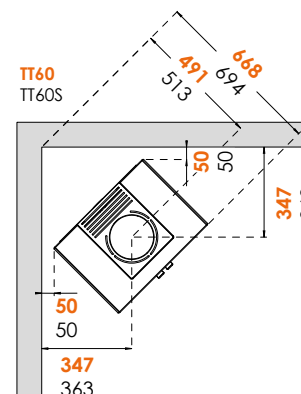
DISTANCE TO NON FLAMMABLE MATERIALS

TT60 / TT60S / TT60W

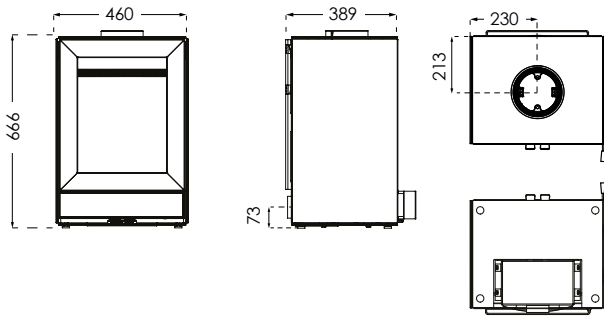
Energy efficiency class	A*
Nominal effect in kW	6
Operating range in kW	4 - 8
Efficiency rate %	83
Heats sqm	30 - 120

In order to avoid discolouration of painted and treated surfaces, TermaTech recommends the same distance from flammable materials as for non-flammable materials. This distance increases the convection itself around the stove and also eases cleaning.

All distances relate solely to the distance of the stove from flammable materials. No account has been taken of national requirements for the use of stove flues or their distance from flammable materials.



TT60W

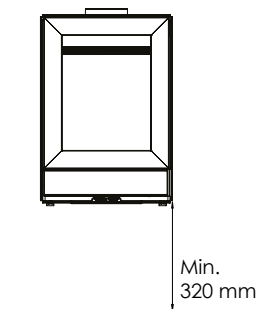


Combustion chamber W / D: 380 / 260 Weight in kg: 116

MOUNTING

TT60W

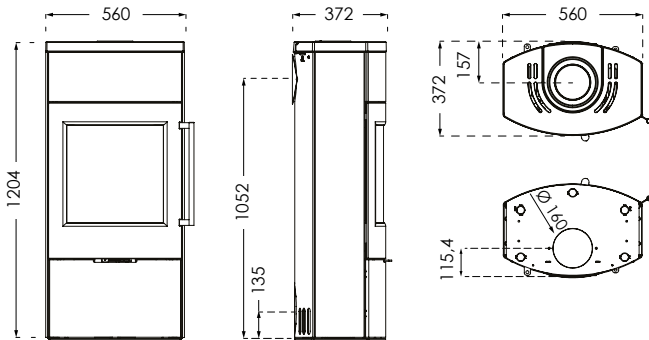
TT60W is designed for mounting on a non-flammable wall. If the floor covering is flammable, the stove must be mounted at least 320 mm above the floor. Talk to your dealer and/or chimney sweep about the best fireproof mounting solution. The distances from flammable material are identical to those applying to the TT60, see previous page.



TT80 RANGE TECHNICAL SPECIFICATIONS

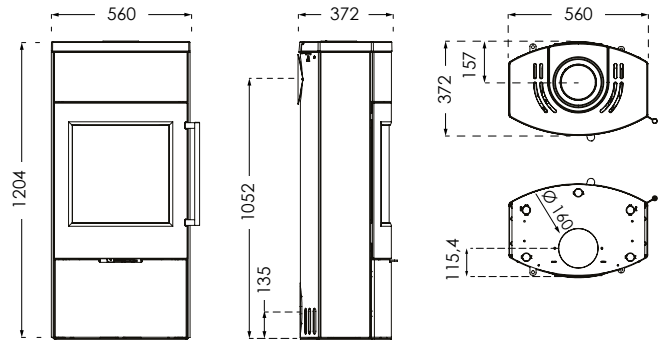
TT80

TT80S



Combustion chamber W / D: 420 / 210

Weight in kg: 185



Combustion chamber W / D: 420 / 210

Weight in kg: 241

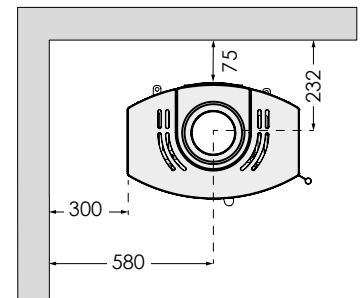
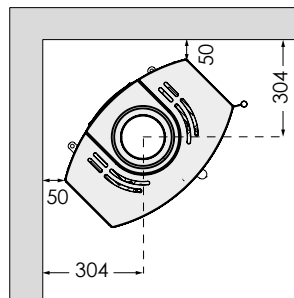
DISTANCE TO FLAMMABLE MATERIALS

TT80 / TT80S

Energy efficiency class	A*
Nominal effect in kW	5,5
Operating range in kW	3 - 7
Efficiency rate %	81
Heats sqm	30 - 120

In order to avoid discolouration of painted and treated surfaces, TermaTech recommends the same distance from flammable materials as for non-flammable materials. This distance increases the convection itself around the stove and also eases cleaning.

All distances relate solely to the distance of the stove from flammable materials. No account has been taken of national requirements for the use of stove flues or their distance from flammable materials.



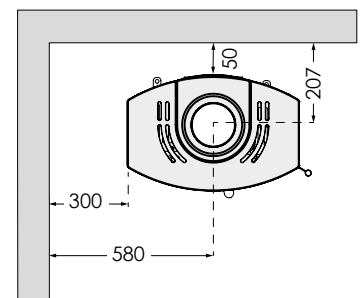
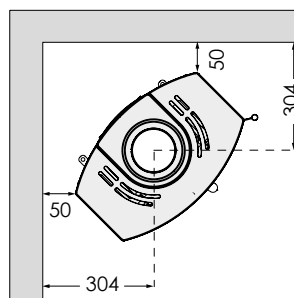
DISTANCE TO NON FLAMMABLE MATERIALS

TT80 / TT80S

Energy efficiency class	A*
Nominal effect in kW	5,5
Operating range in kW	3 - 7
Efficiency rate %	81
Heats sqm	30 - 120

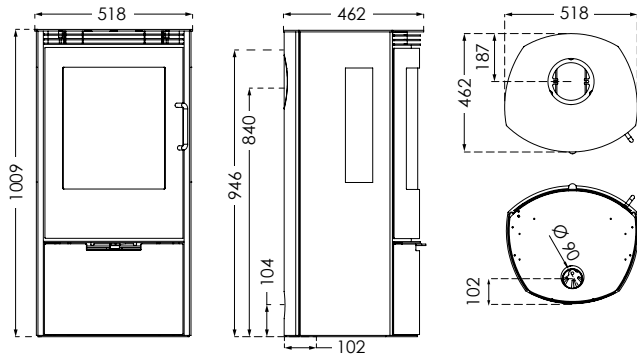
In order to avoid discolouration of painted and treated surfaces, TermaTech recommends the same distance from flammable materials as for non-flammable materials. This distance increases the convection itself around the stove and also eases cleaning.

All distances relate solely to the distance of the stove from flammable materials. No account has been taken of national requirements for the use of stove flues or their distance from flammable materials.



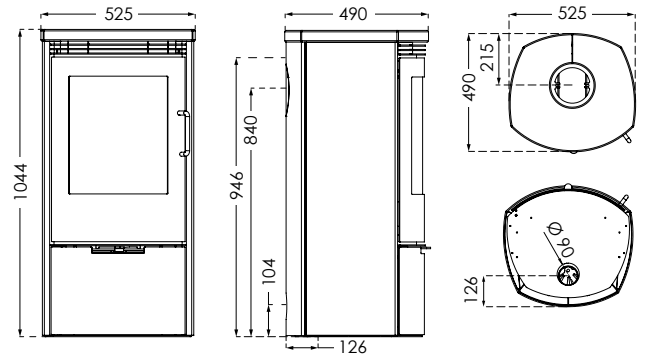
TT10 RANGE TECHNICAL SPECIFICATIONS

TT10 / TT10G



Combustion chamber W / D: 340 / 309 Weight in kg: 116

TT10S



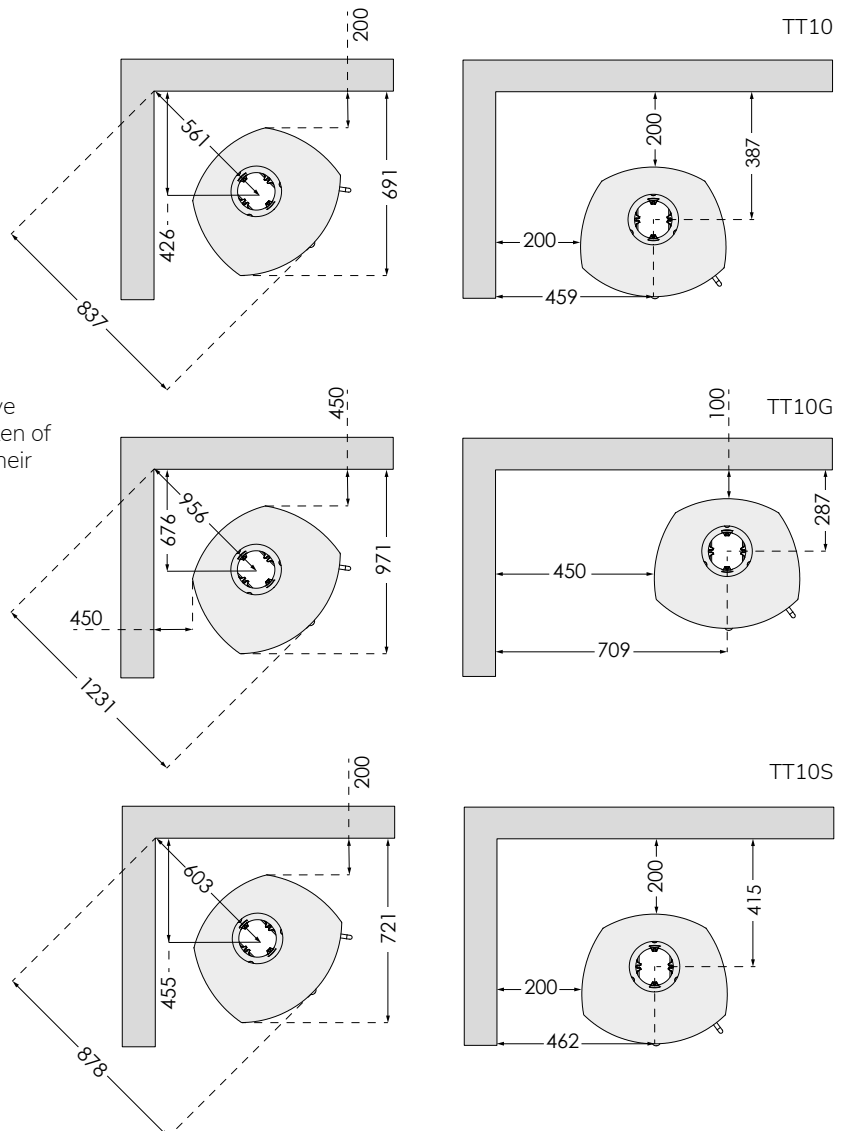
Combustion chamber W / D: 340 / 309 Weight in kg: 190

DISTANCE TO FLAMMABLE AND NON FLAMMABLE MATERIALS TT10 / TT10G / TT10S

Energy efficiency class	A*
Nominal effect in kW	6
Operating range in kW	3 - 8
Efficiency rate %	82
Heats sqm	30 - 140

In order to avoid discolouration of painted and treated surfaces, TermaTech recommends the same distance from flammable materials as for non-flammable materials. This distance increases the convection itself around the stove and also eases cleaning.

All distances relate solely to the distance of the stove from flammable materials. No account has been taken of national requirements for the use of stove flues or their distance from flammable materials.





GENERAL INFORMATION ABOUT THE TT MODELS

MEMBER OF:

- 5 years warranty*
- Tested and approved by recognised European testing institutes
- Effective and high build quality
- Constructed with a view to easy and error-free operation
- Constructed so that there is a minimum of maintenance and the wearing parts are easy to replace
- Convection stoves, thus ensuring better heat distribution. Heats up between 30 and 160m²
- Equipped with an efficient airwash that keeps the glass clean
- Equipped with cast iron frames in the door and bottom of the combustion chamber
- Equipped with stainless steel door handles
- Most stoves are available in metallic grey or metallic black
- Can be connected from the back or the top
- Can be purchased from your professional stove shop, which ensures you receive the correct advice, optimal guidance and proper installation

DAPO



The qualities above assume that the user follows the firing guidelines and solely uses clean and dry firewood in the stove.

On TermaTech's website you can easily locate your closest dealer. Here you will find usage instructions, the statutory test certificate and all technical data on the stoves.

We wish you and your family many cosy and warm times in the company of your new TermaTech woodburning stove.

*Please read our conditions for "5 years warranty" in our user and mounting manual.

APPROVALS AND ENVIRONMENT

TermaTech's woodburning stoves are approved by and meet the most stringent requirements in Europe. They are approved by, among others, Rhein Ruhr Feuerstätten Prüfstelle and The Danish Technological Institute who have completed the CE-approval (EN13240), the Austrian standard "15A" and the German standard "DIN+".

The stoves are also tested and approved by SINTEF, which is a Norwegian testing institute and VKF, which is a Swiss institute. In England, all of the stoves are tested and approved by HETAS. TT20, TT21, TT22, TT30, TT60 and TT80 are also DEFRA exempt for smokeless zones, a distinction reserved for only the cleanest burning stoves on the market.

See the technical data for further details.



TEKNOLOGISK
INSTITUT





www.termatech.com