



DunsleyHeat

WOODBURNING & MULTIFUEL STOVES



## Welcome

Dunsley Heat are one of the UK's longest and finest manufacturers of multi-fuel heating equipment, the firm was established in 1950 high on the Yorkshire moors of Holmfirth. The company still run by the Broadbent family is proud of it's history and is a 100% British company dedicated to produciug top quality goods. We include a 10 year guarantee on our stove models (exclusions apply).

We trust you will enjoy looking through our brochure and hope you decide on one of the stoves from our Avance and Highlander ranges.

### Designed and manufactured in Holmfirth, Yorkshire

Since Dunsley Heat developed it's first fires over 70 years ago we have been at the forefront of innovative design. With stunning quality and superior efficiency, we have created a range of stoves that give you a touch of elegance to suit any room.

### Quality and stunning performance

Design is at the heart of the development process at Dunsley, but design alone is not enough. The product needs the quality to match; which is why every stove leaving our factory is quality checked at each stage of production. All Dunsley stoves are constructed from the highest quality materials.

All our stoves are tested and approved independently by KIWA laboratories.





## Renewable fuels for your stove

Burning renewable fuels in your woodburning stove is an environmentally sound and efficient way of heating your home. Throughout its life a tree will consume more carbon dioxide than it emits when burning. However it is important to only burn properly seasoned wood from a sustainably managed and certified source. As wood contains a lot of moisture when freshly cut it should be seasoned ideally for two years, burning without seasoning for this length of time can damage stoves and their components. The best method of seasoning is to cut to the desired length, split into logs and leave outside preferably in a covered area in order for air to circulate and dry the logs ready for burning.



**“We all have a responsibility to protect the environment for future generations. For them to enjoy the world around us as we have. Choosing a stove designed and built by Dunsley is one step towards a more sustainable future”**





## Choosing the right stove for you

One of the key factors when choosing a stove is the correct heat output for the room, you can find a heat calculator on our website just enter the size of the room and it will give you a kW heat output for that room.

All our stoves come finished in a high temperature metallic black paint as standard, with an option of 6 other colours (see page 12).

There is a choice of coloured handles, satin black, satin stainless steel, satin gold or a wood handle which is offset (see page 9) you may need a further 25mm in addition to the standard 75mm for building regulations at the side of the stove to be able to turn the door handle if the stove is in a deep recess opening.

All our stoves are Energy Efficiency Rated\* at either A or A+.



\*All our stoves are tested and approved independently and meet all the requirements of BS EN 13240:2001 and Scotland building regulation 1999 part F. Our quality system is assessed by BSI ISO 9001 2015 assured.





Nothing heats the home and the heart quite like the dancing flames of a Dunsley woodburning stove.





# AVANCE

WOODBURNING STOVE 400



# AVANCE

WOODBURNING STOVE



**Avance 400**



**Avance 500**

- Our new stoves the Avance 400 and 500 have passed and exceeded all the new standards for Eco design 2022 regulations.
- The Avance has high level controllability with a fast response for high and low burn.
- Finished in a black metallic high temperature paint as standard with six other optional colours available.
- The stove has top and rear flue exits to fit a 5" (125mm) diameter flue pipe.
- If you require the rear flue exit for your installation please ask your stove dealer to order the rear flue conversion kit foc at point of order.
- A solid fuel kit is available for both stoves for burning smokeless fuels as an extra item and can be fitted at any time.
- Long and short leg option is only available for the 500 model.
- The heat output can vary between 3.5 and 7kW depending on weight and type of wood being used.
- Outside air kit available for both stoves as an extra item.
- **Energy efficiency rating of A+ on both stoves**

HEAT OUTPUTS	
Burning wood logs	5kW
Smokeless fuel	5kW
BURNING EFFICIENCIES	
Burning wood logs	82.4%
Smokeless fuel	78.4%
HEARTH SETTING	
Suitable for a 12mm superimposed non-combustible single sheet hearth	

HEAT OUTPUTS	
Burning wood logs	5kW
Smokeless fuel	5kW
BURNING EFFICIENCIES	
Burning wood logs	81.2%
Smokeless fuel	75.7%
HEARTH SETTING	
Suitable for a 12mm superimposed non-combustible single sheet hearth	





**Highlander 5 Enviroburn SG**





### Highlander 3 Enviroburn SG

The size of this stove makes it ideal for smaller rooms as it is only 34cm wide. It takes logs up to 20cm with ease. The grate system can be adjusted for wood or smokeless fuels. The heat output can vary between 2.5kW and 4.5kW depending on weight and the type of fuel used.

**Energy efficiency class A+**

#### HEAT OUTPUTS

Burning wood logs	3.9kW
Smokeless fuel	3.9kW

#### BURNING EFFICIENCIES

Burning wood logs	82.7%
Smokeless fuel	77.9%

#### HEARTH SETTING

Suitable for a 12mm superimposed non-combustible single sheet hearth



### Highlander 5 Enviroburn

The traditional styling of this stove has meant that this has been one of our best selling over the past 20 years. There are three different style doors to choose from and it can take logs up to 25cm long. The grate mechanism can be adjusted for burning wood or other solid fuels. The Heat output can vary from 3.5kW to 6.5kW depending on weight and type of fuel used.

**Energy efficiency class A**

#### HEAT OUTPUTS

Burning wood logs	5.0kW
Smokeless fuel	5.0kW

#### BURNING EFFICIENCIES

Burning wood logs	77.5%
Smokeless fuel	79.2%

#### HEARTH SETTING

Suitable for a 12mm superimposed non-combustible single sheet hearth can be used for this stove with high legs only, not suitable for short legs.



### Highlander 8 Solo Enviroburn

The Highlander 8 has a wide door opening and large fire bed capacity, this enables you to load the fire box with good sized logs of up to 46cm in length. An SG door style is also available. The grate mechanism can be adjusted for burning wood or other solid fuels. The heat output can vary between 5.5kW and 9.5kW depending on weight and type of fuel used.

**Energy efficiency class A**

#### HEAT OUTPUTS

Burning wood logs	7.8kW
Smokeless fuel	7.5kW

#### BURNING EFFICIENCIES

Burning wood logs	77.8%
Smokeless fuel	74.9%

#### HEARTH SETTING

Suitable for a 12mm superimposed non-combustible single sheet hearth



# Highlander SOLO

## Single door range

Detailing on the Highlander SOLO single door models. Black handles are fitted as standard with satin gold, satin steel or wood available by request.

With its curved corner window and wave style fuel retainer bar the Dunsley Highlander SOLO single door may sit and feel more at home with the decor in your room rather than the squarer window of the SG version.



**Highlander 5 Enviro-burn SOLO**  
With Blue metallic paint finish



**Highlander 8 Enviro-burn SOLO**  
with Light charcoal paint finish



**Highlander 5 Enviro-burn LS SOLO**



**Highlander 8 Enviro-burn LS SOLO**



# Highlander SG RANGE



So you can enjoy more of the dancing flames of the Dunsley Highlander stoves even more, we have developed the SG range to provide a larger, squarer clearer viewing window.

Detailing on the Highlander SG door models.



**Highlander 3 SG**  
With Forest green paint finish



**Highlander 5 SG**  
With Honey Glo Brown paint finish



**Highlander 8 SG**  
With Mojave Red paint finish



**Highlander 5 SG**  
Log Store



**Highlander 8 SG**  
Log Store





**Avance 400 Logstore**  
fitted with offset wooden handle



## Avance & Highlander Log Stores



Avance 500 short leg with bolt on Log Store

The **Avance 500** can be supplied with a bolt on log store see left, which is available as an extra item. The store is large enough to hold a good supply of logs for a long period of burning. It can be fitted to either the short leg or tall leg stove. Levelling bolts are fitted to the log store at each corner to assist on uneven floors.

The **Highlander** range of stoves includes the Log Store model which has all the features of the standard stoves.

The Log Store has top or rear flue outlets which can be changed on site. Levelling adjusting bolts are fitted as standard at each corner to assist on uneven floors.

The Log Store is ideal for homes where a chimney is built, to make a feature against a wall or fitting into an Inglenook type opening.



**Highlander 8 Enviroburn Log Store**  
Fitted with offset wooden handle

**Log Store**  
available as a **SOLO**,  
**SG** model or  
traditional.



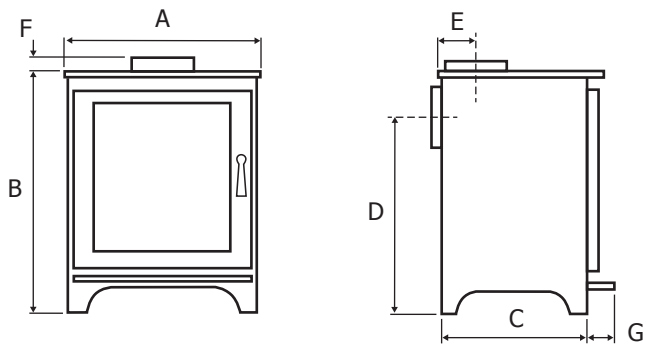
**Highlander 5 Enviroburn SG Log Store**



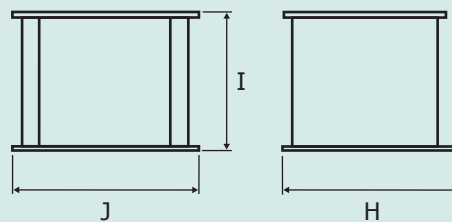
# AVANCE 500



# Dimensions and flue sizes



Avance 500 and 400 bolt on log store



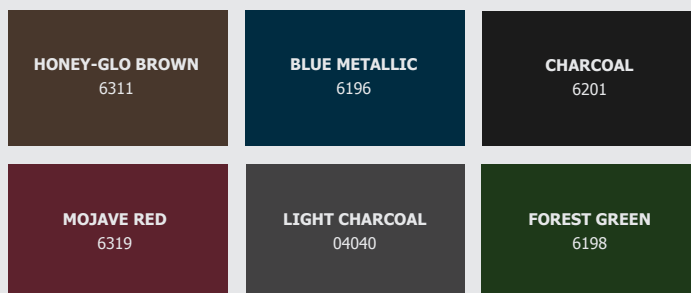
All measurements are in millimetres

All of our stoves have a 125mm diameter flue outlet apart from Highlander 8 which is 152mm diameter outlet

Model	A	B	C	D	E	F	G	H	I	J
<b>Avance 500</b> Short leg	605	560	275	430	115	25	60	-	-	-
<b>Avance 500</b> High leg	605	630	275	500	115	25	60	-	-	-
<b>Avance 500</b> Log store	-	-	-	-	-	-	-	355	325	605
<b>Avance 400</b>	435	590	310	470	115	25	60	-	-	-
<b>Avance 400</b> Log store	-	-	-	-	-	-	-	390	325	435
<b>Highlander 3</b> SG	340	560	315	445	105	40	70	-	-	-
<b>Highlander 5</b> short leg (SL)	425	560	315	445	105	40	70	-	-	-
<b>Highlander 5</b> High leg (HL)	425	630	315	515	105	40	70	-	-	-
<b>Highlander 5</b> Log store	425	830	315	710	105	40	70	-	-	-
<b>Highlander 8</b>	605	630	315	515	118	45	70	-	-	-
<b>Highlander 8</b> Log store	605	900	315	780	118	45	70	-	-	-

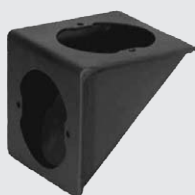
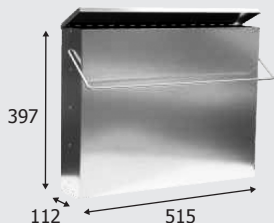
## Colour paint finish

As well as our outstanding Black paint finish standard on all our stoves we can now offer a number of different colours available as an optional extra. Remember each stove is different and the actual paint colour may vary from our brochure, please ask your dealer to see the Stovebright colour chart.



## Highlander accessories

**The Ash container** suitable for most room heaters, stoves and open fires.  
Part No: 01414

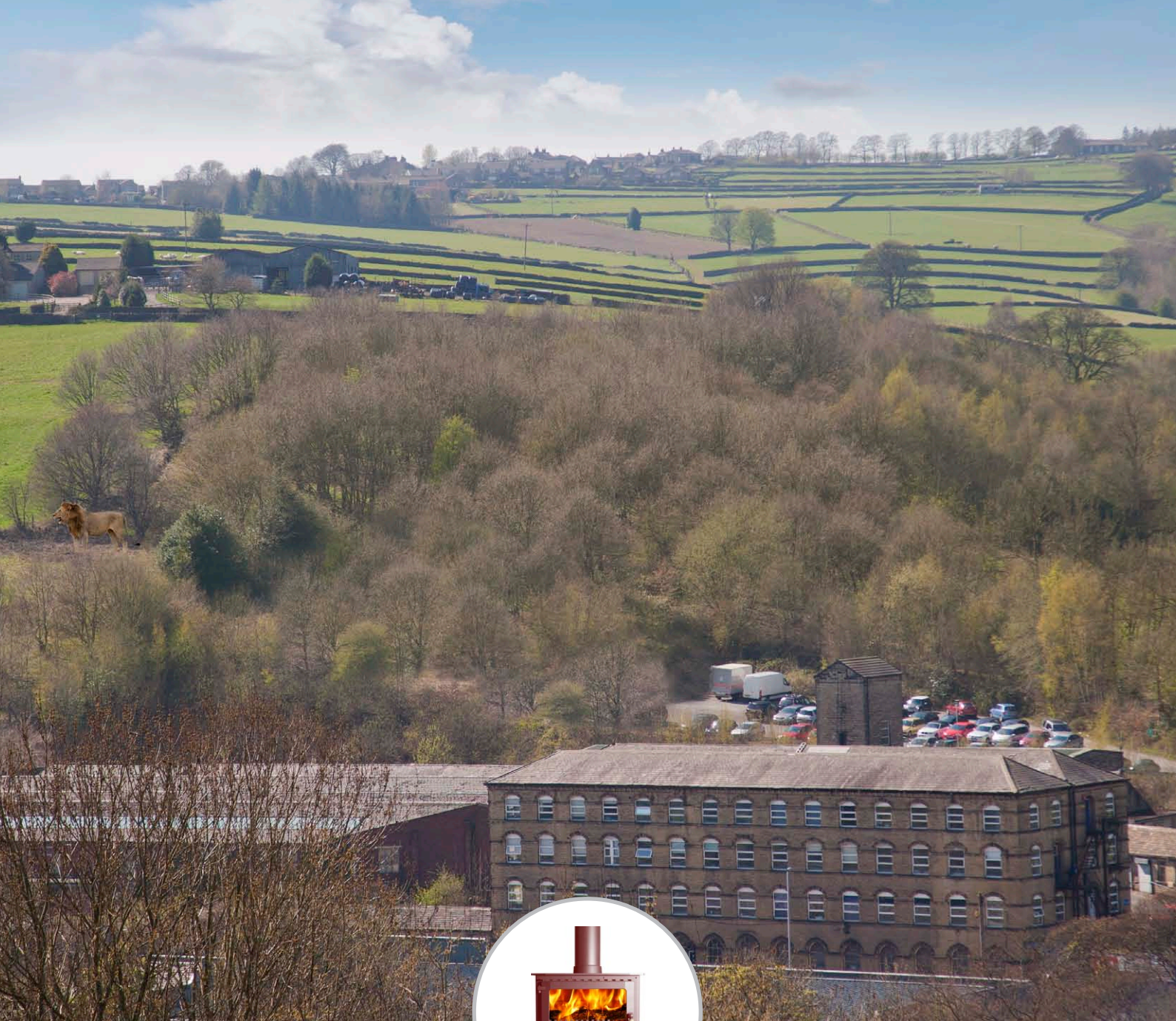


**Rear flue Adapter**  
Available in 5" and 6" sizes.  
Part No: 02298

**Sliding wood handle sleeve** for use when opening and closing the door. Part No: 02299



**Outside Air Kit** Avance 400 & 500 only 3" / 76mm diameter tube. Part No: 02497



# DunsleyHeat



[www.dunsleyheat.co.uk](http://www.dunsleyheat.co.uk)

email: [sales@dunsleyheat.co.uk](mailto:sales@dunsleyheat.co.uk)

tel: 01484 682635

All products are manufactured by Dunsley Heat Ltd at Bridge Mills, Holmfirth, Yorkshire, England HD9 3TW